

I N T R O D U C I N G

# 7" and 8" SEAMLESS GUTTERS

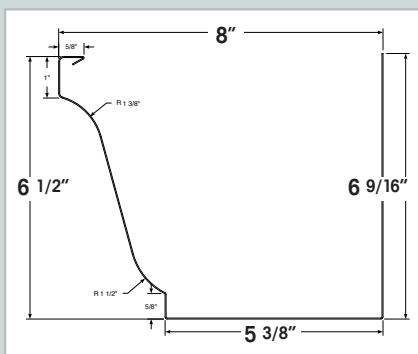
▶ Move large  
amounts of water  
quickly and safely!

Reduce  
amount of  
downspouts!



- Larger Rain Gutter Systems can move larger amounts of water without overflowing that can cause building structure damage.
- Larger gutter systems are perfect for Residential, Churches, Shopping Centers, Warehouses, Agricultural and just about any building structure that doesn't want water overflowing its Rain Gutter System.
- 8" & 7" K-Style Rain Gutter Systems can reduce the amount of downspouts around building structures.

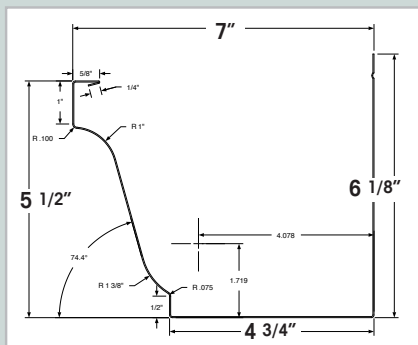
## 8" GUTTER



- Our 8" K-style Rain Gutter System is made SEAMLESS on your project and able to handle large water flow. It is one of only a couple machines of its kind in the nation.

- 8" Seamless Gutter can handle 33% more water than 6" gutters systems

## 7" GUTTER



- 7" SEAMLESS K-Style gutter is another product we deliver in Seamless form.

- 7" Seamless Gutter can handle 20% more water than 6" gutter systems